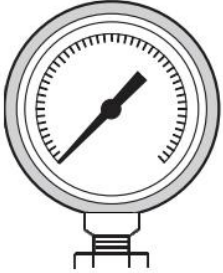


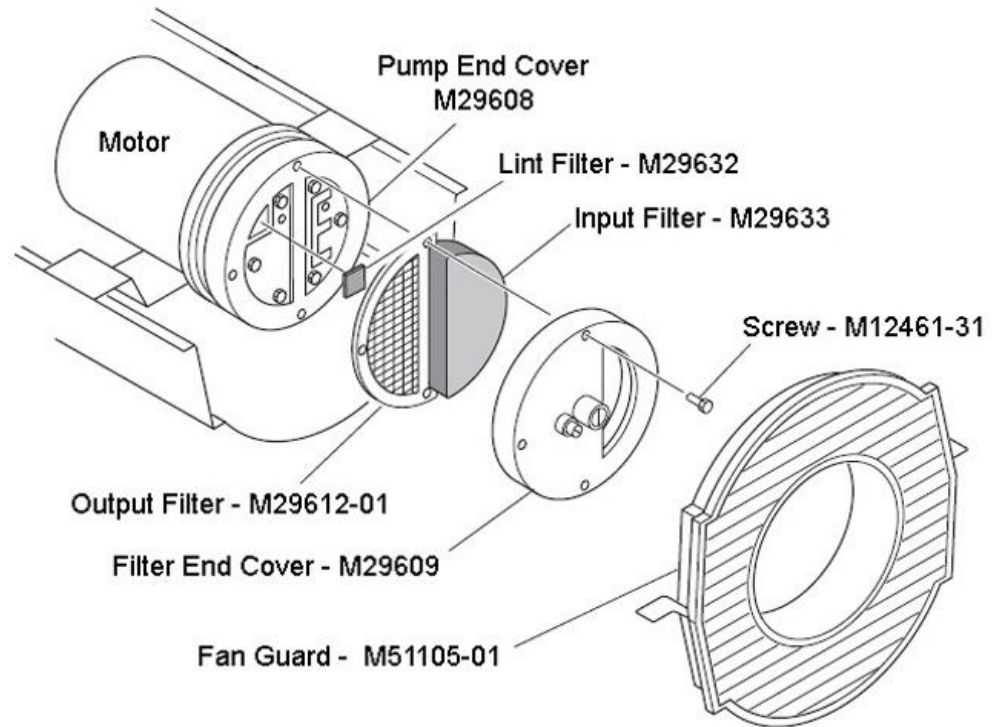
Filter Replacement Instructions

SpaceHeaterParts.com
586 Keldon Ct.
Valparaiso, In 46385
219-242-8778

PP213 Filter Kit



Optional G14490 Air Gauge,
0-15 PSI. This is for all low
pressure oil fired heaters.



The PP213 filter kit includes one of each filter:

M29632 Lint Filter

M29612-01 Output Filter

M29633 Intake Filter

SUGGESTED TOOLS:

5/16" Nut Driver

#2 Phillips Screwdriver

Feeler Gauge

0-15 lbs Pressure Gauge (#G14490)

TO REPLACE OUTPUT, INTAKE, AND LINT FILTERS

1. Unplug heater.
2. Remove upper shell & plastic fan grill.
(If equipped)
3. Remove filter end cover.
4. Remove old intake, output, and lint filters.
5. Install new filters.
(Refer to illustration above)
6. Install filter end cover.
7. Install plastic fan grill (if equipped) and
upper shell.
8. Adjust pump pressure.

⚠ WARNING ⚠

Never service heater while it is
plugged in, operating or hot.

Severe burns and electrical
shock can occur.